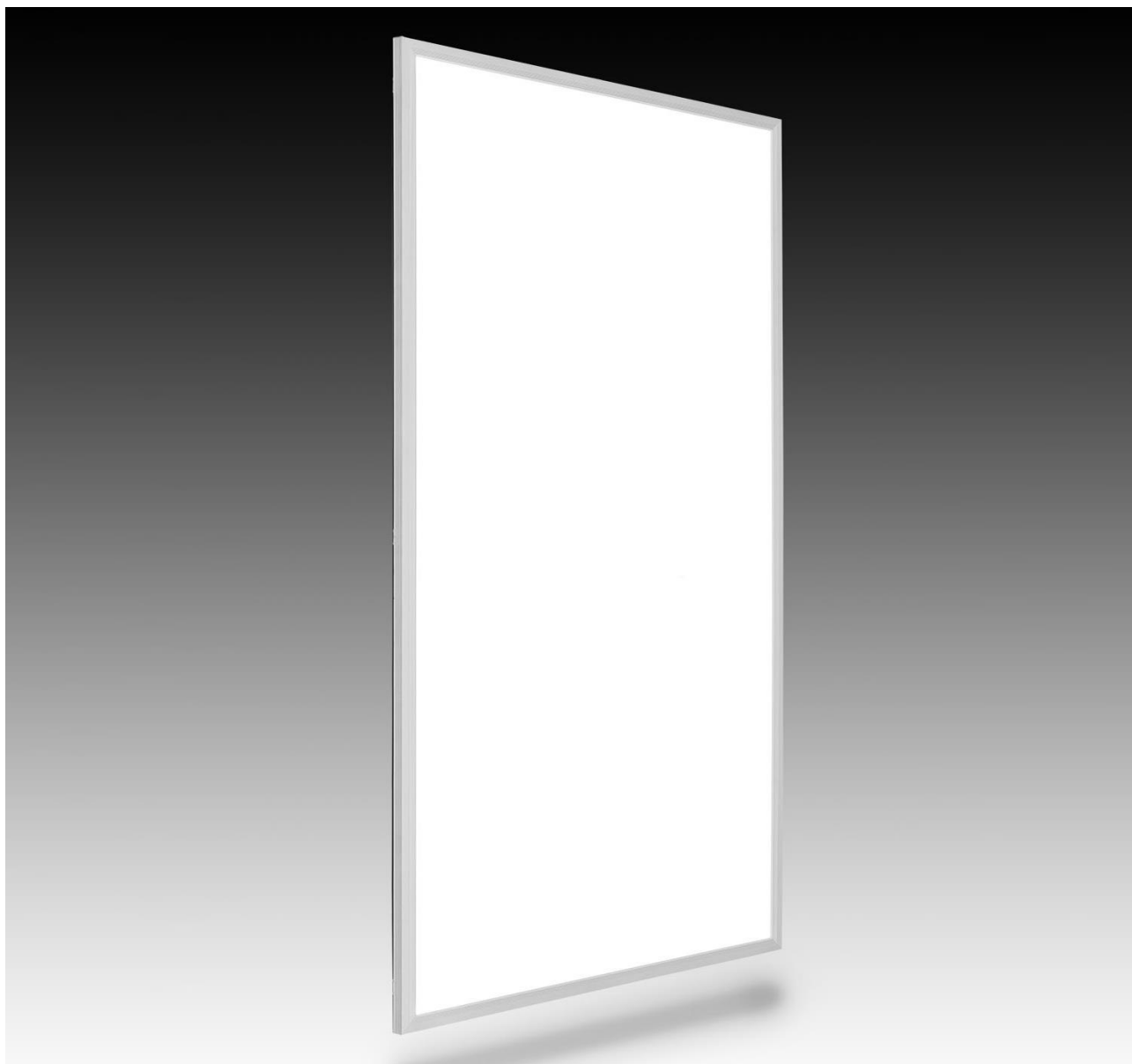


Zenergy LED

ZEN-PL1260 72W 4000K 1200x600 LED Panel Light



Contents

1. Product Description
2. Application
3. Technical Parameter
4. Dimension
5. Luminous Distribution Diagram
6. Illuminance Diagram
7. LED Life Prediction
8. Package
9. Installation Method
10. Attention on Installation
11. Notes on using
12. Maintenance Suggestion

Product Description

1. Super slim design, save 70% energy, High efficiency 80LM/W with uniformed luminance.
2. Life span: 50000 hours
3. Wide range of input voltage: AC100-270V
4. Instant start, no noise, no flickering
5. New high efficiency constant current driver.
6. Professional circuit design, each group of LEDs work separately to avoid any problem of lighting output caused by single faulty LED.
7. No electrical wave interference, confirm to the standard of CE.
8. No plumbum, green environment friendly, confirm to the standard of RoHS.
9. No RF interference.
10. Surface Mounting Kit Available

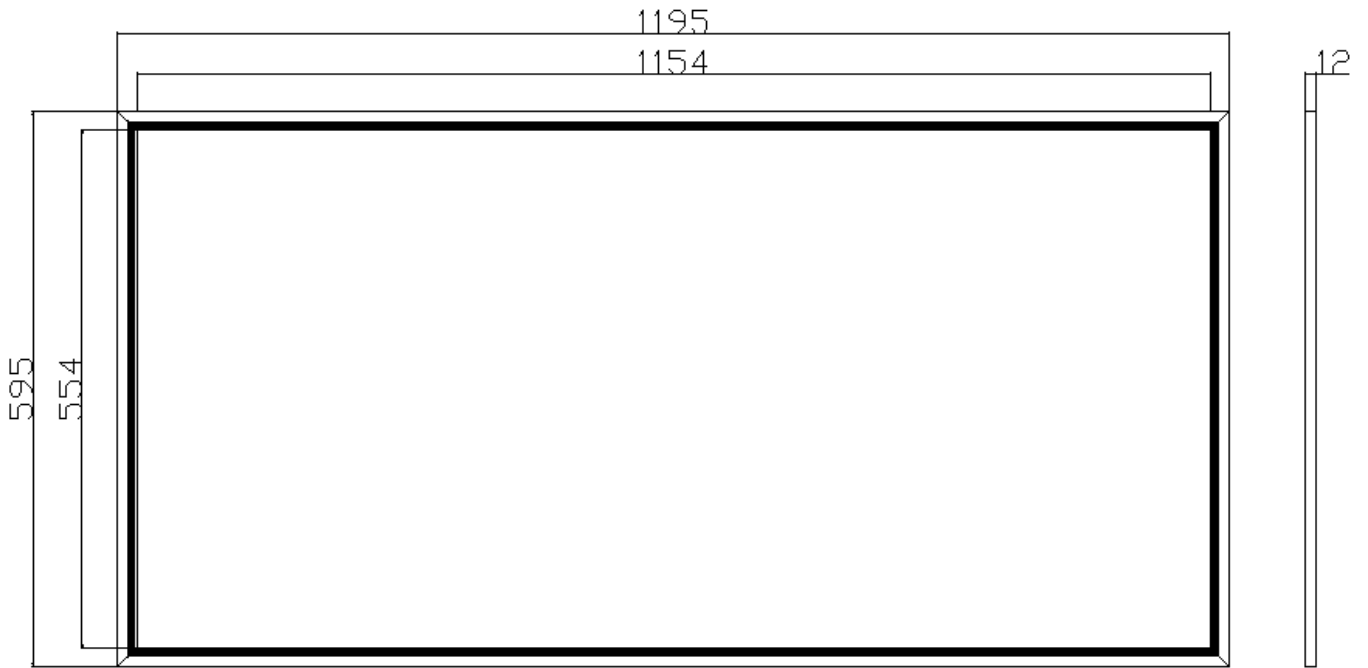
Application Scope

- Hotel
- Meeting Room
- Factory & Office
- Commercial Purpose
- Residential & Institution
- School
- Hospital

Technical Parameter

No	Parameter	
01	Input Voltage	AC 110-277V(UL) AC100-240V(CE)
02	Working Voltage	≤36V
03	Input Power	□54W □72W
04	Luminous	□54W <u>4100</u> lm □72W <u>5400</u> lm
05	Power Efficiency	□54W <u>75</u> lm/w □72W <u>75</u> lm/w
06	Color	Up to request
07	Color Temp	□WW / Warm White 2800-3500K □NW / Natural White 4000-4500K □W / White 5000-5500K □CW / Cool White 6000-6500K
08	CRI	3014 ≥80 5630 ≥80
09	LED Qty	3014 □54W <u>528</u> PCS □72W <u>704</u> PCS
		5630 □54W <u>176</u> PCS □72W <u>176</u> PCS
10	LED Type	□ Samsung 5630 □ LumenMax 3014
11	Life Span	50000 Hours
12	Working Temp	-20°C — 50°C
13	Storage Temp	-20°C — 60°C
14	Net Weight	9.5 Kg
15	Gross Weight	10.7 Kg
16	IP	IP 40

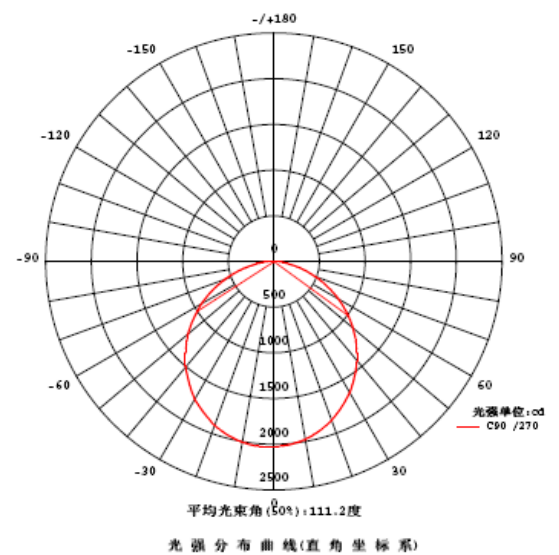
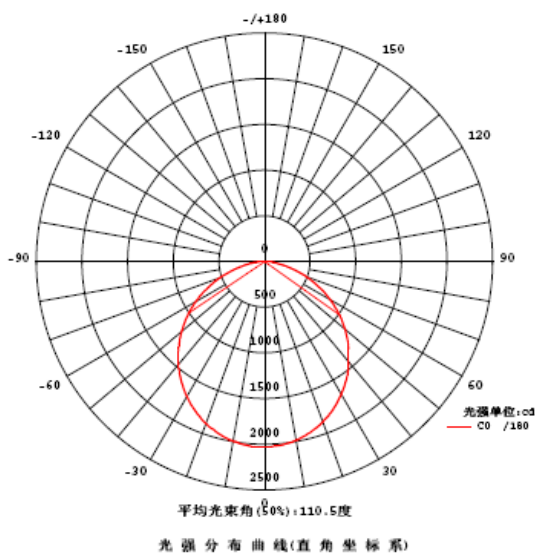
Product Dimension:



Remarks:

1. The above dimension are based on "mm"
2. There is a tolerance about $\pm 0.5\text{mm}$

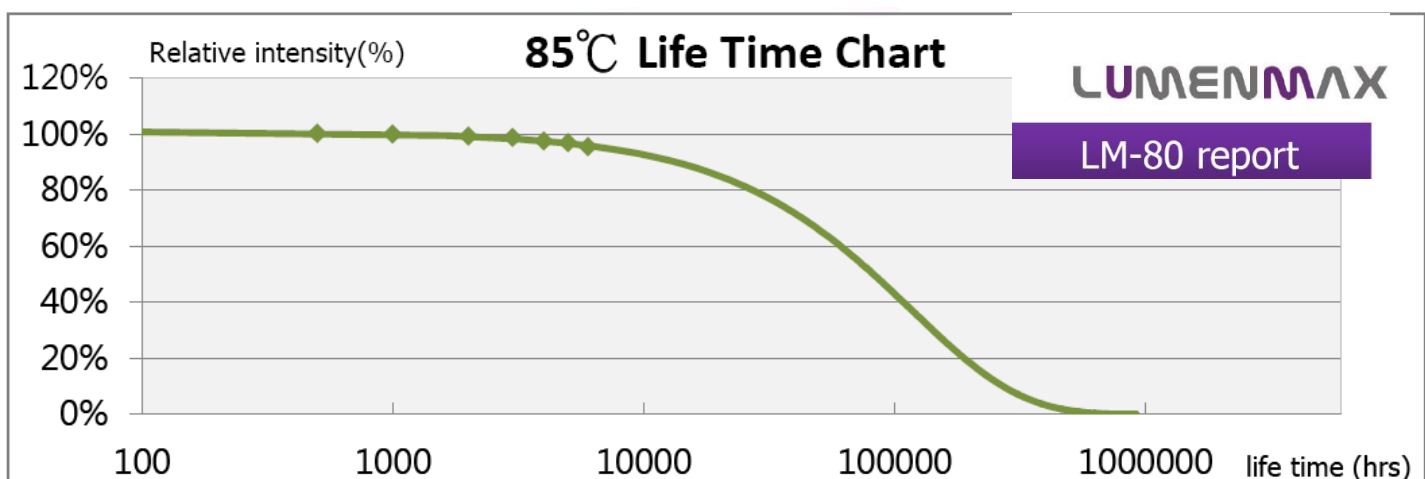
Luminous Distribution Diagram:



Illuminance Diagram

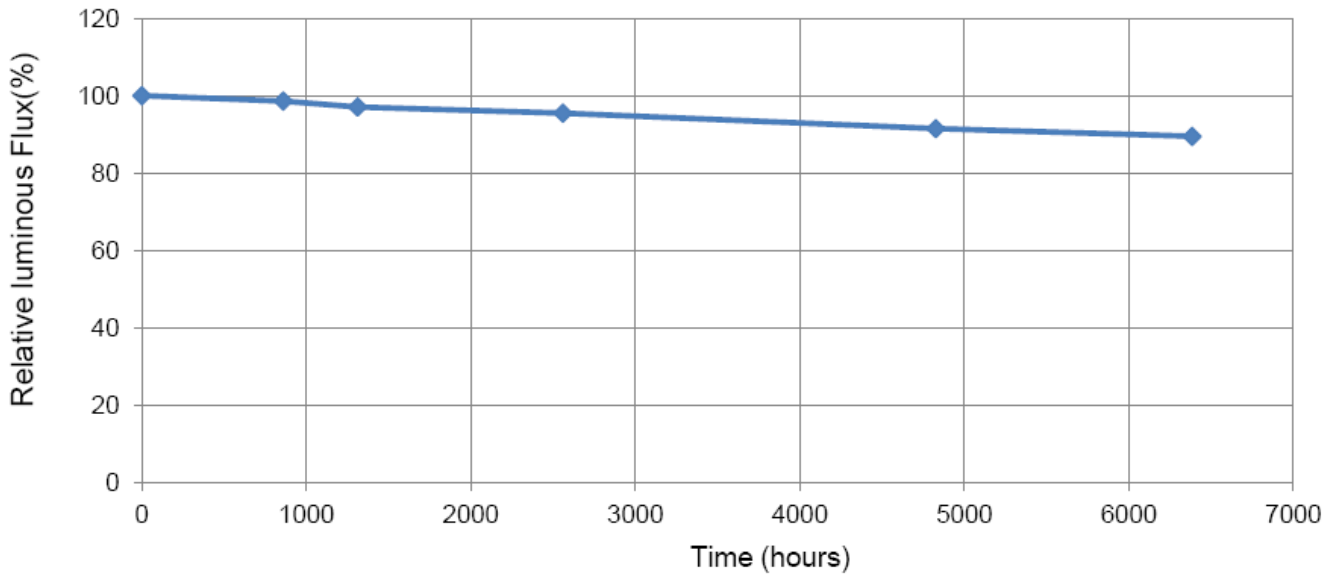
Distance		Central Illuminance	
1m		1714	2028
1.5m		786	1089
2m		428	506
2.5m		273	313
3m		190	225
Power		54W	72W

LED Life Prediction

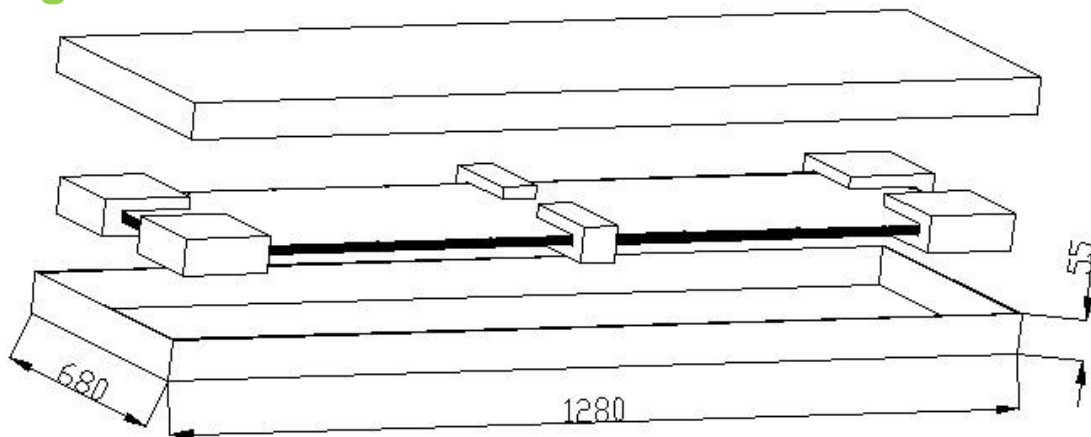


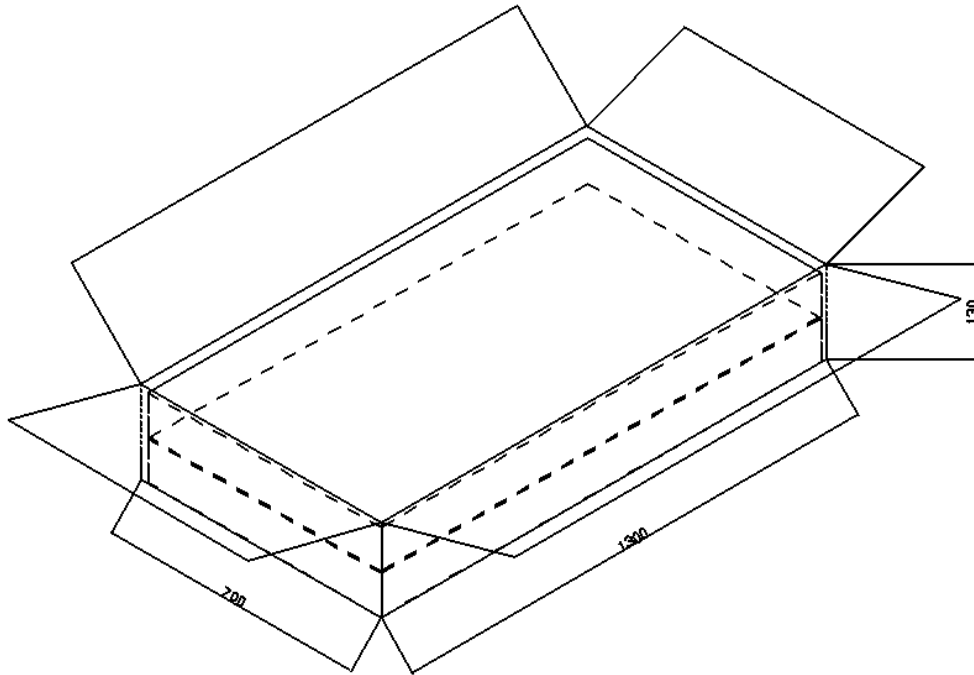
Samsung MP56L CRI70+ Test Result in our lab

[Condition : 100mA, 85°C]



Package





Inner Box: 1280×680×55mm (1pc/box)
10.7KG

Net Weight: 9.5 KG

Gross Weight:

Outer Carton: 1300×700×130mm (2boxes/carton)
24 KG

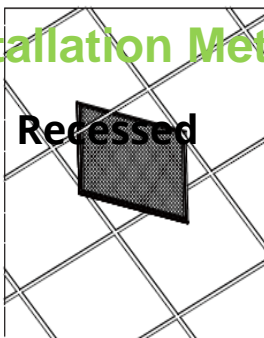
Net Weight: 21.4KG

Gross Weight:

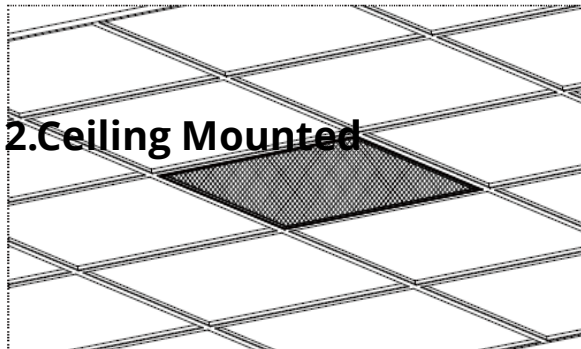
2 boxes packed in a Carton

Installation Method

1. Recessed

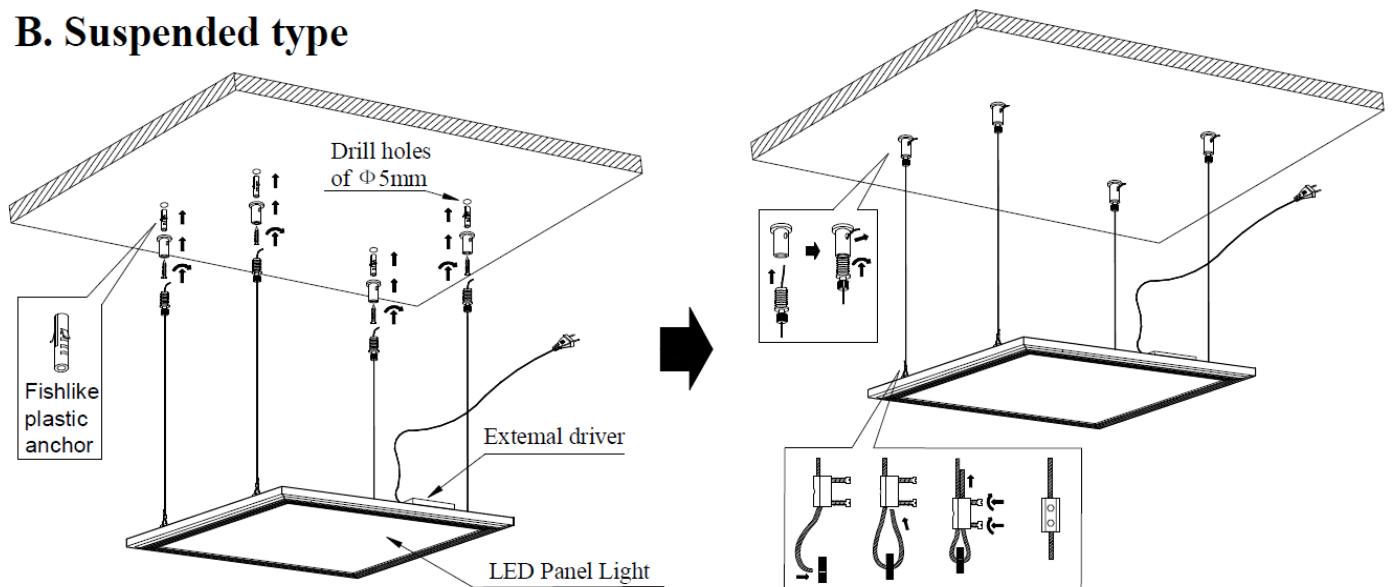


2. Ceiling Mounted



2. Suspended

B. Suspended type



Attention on Installation

1. Panel lights should be installed by trained electronic technician.
2. Please check all the accessories when open the cartons.
3. The distance between the light and any flammable materials must be more than 0.2m. The distance between the upper part of the installed light and the ceiling must not be less than 2 cm. Don not install into ceilings or walls that contain heat source. The main cable must not connect with the low voltage cable or the surface-mounted lights.
4. Guide the lights' connecting cables through the drilled hole, and fix the surface-mounted lights with the pre-fitted clips. Make sure that these are securely connected to the base material.
5. When laying the cables, make sure that the cables and plugs are not subjected to any tensile or twisting forces. Do not kink cables. Output cables should be laid separately and at a distance from other cables.
6. After installation, connect the transformer to the mains supply
7. Proceed by connecting the wiring cables to the lights. Usually, the brown (or black) wire is the Live wire, connect it with the terminal marked "L". The blue wire is Naughtly wire; connect it with the terminal marked "N".
8. Use the dedicated LED drivers only, do not connect to other loads
9. Do not remove the label of the lights and drivers.

Notes on Using

1. Please always use the light out of its package.
2. Before starting use of the light, please check if the light was damaged during transportation. If any damage shown, please DO not install or use it.
3. Any maintenance should be performed by trained professionals only.
4. Keep packaging material away from the reach of children and pets.
5. Caution: Keep children away from the lights, there are some small components that may be swallowed by children, and never allow them to play with electrical devices.
6. Try to avoid looking directly at lights for a long time. Do not shine the LED light in another person's eyes.
7. Never cover the lights by other objects
8. Keep the panel light away from the flames or heat sources.
9. The lights should be inspected repaired or special treatment if beyond service time.
10. Non-professionals are not allowed to disassemble and maintain the products. We have the right not to provide after-sale service if unauthorized disassembly and maintenance happens to the products.

Maintenance

1. Before to clearing the panel lights, please make sure it have been powered OFF.
2. Use a dry or slightly moistened cloth for cleaning.
3. Never use any chemicals or abrasives for cleaning.