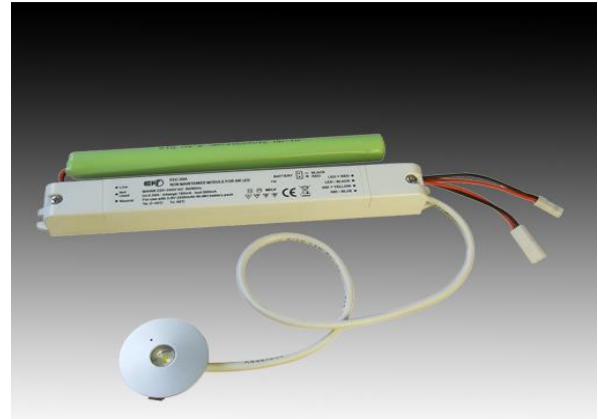


LED-NM3-W

Features

- 1 to 3W LED emergency lighting supply unit
- Main and emergency operation
- Constant current mode
- SELV output
- Over charge & over temperature protection
- 3.6V Ni-MH batteries
- Comply with latest safety and EMC standard



Description

The series use for 1~3W LED spotlight, operate 220V~240Vac input range, and use constant output current mode. These units will provide 3W maximum output power at emergency mode.

Specifications

Supply voltage	Battery voltage	Charge current	Ingress protection	Protection class
AC 220V~240V	4.4V	150mA ± 10%	IP20	Class II
Model	Main power supply		Main power cut-off	
ZEN-NM1	LED load off		LED load on	
ZEN-NM3	LED load on		LED load on	

Note: All specifications are typical at 25 °C unless otherwise stated

Batteries discharge specifications

Parameter	Min.	Typ.	Max.	Notes
Battery discharge current	275mA	-	550mA	Measured at 3.6V input for batteries
Output voltage	2.8V	-	3.5V	
Output constant current	275mA	-	550mA	
Output power	1W-	-	3W	
Emergency time	Output power	batteries		Notes
3 hours	1W	3.6V 1200mAh NiMH		-
3 hours	3W	3.6V 2200mAh NiMH		-

Note: All specifications are typical at 25 °C unless otherwise stated

Batteries charge specifications

Charge time	Charge current	batteries	Notes
18-20 hours	150mA ± 10%	3.6V 2200mAh NiMH	-
10-12 hours	150mA ± 10%	3.6V 1200mAh NiMH	-

Note: All specifications are typical at 25 °C unless otherwise stated

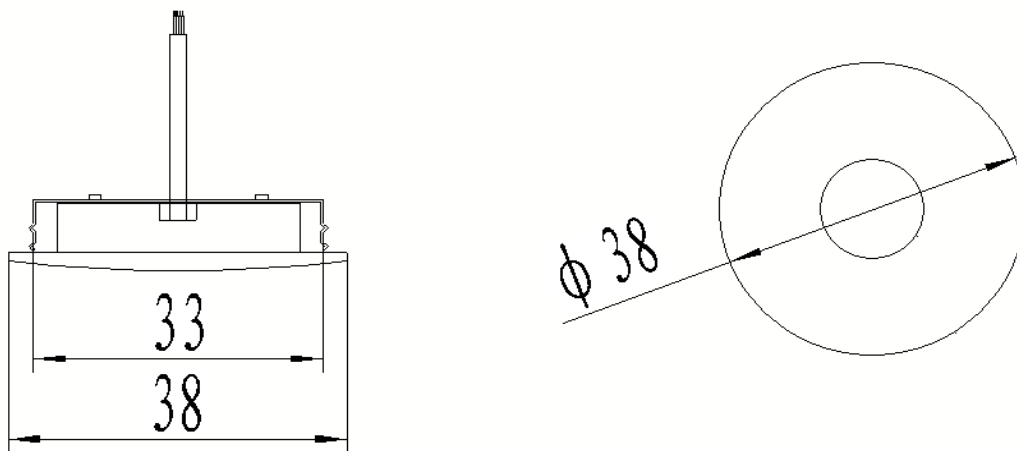
Batteries mechanical Outline

3.6V 1200mAh NiMH/3.6V 2200mAh Ni-MH (unit: mm)

Status indication

RED LED	Status
On	Main power supply, system work at normal mode
Off	Power cut-off, system work at emergency mode

LED Load (Spotlight) mechanical Outline



Environmental Specifications

Parameter	Min.	Typ.	Max.
Operating Temperature	-20 °C	-	45 °C
Storage Temperature	-40 °C	-	70 °C

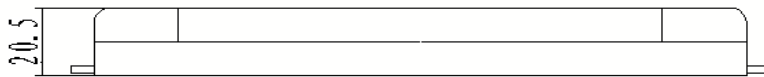
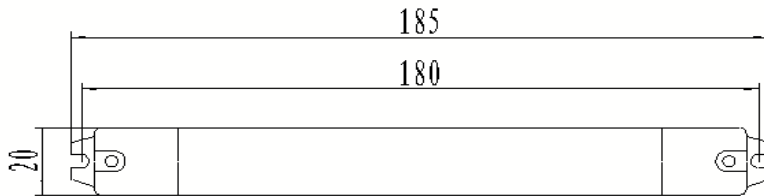
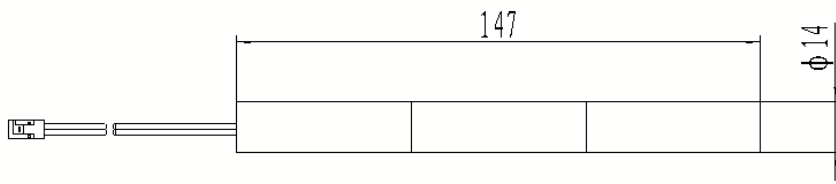
Safety Compliance

Safety Category	Country	Standard
CE	Europe	EN61347-1, EN61347-2-13

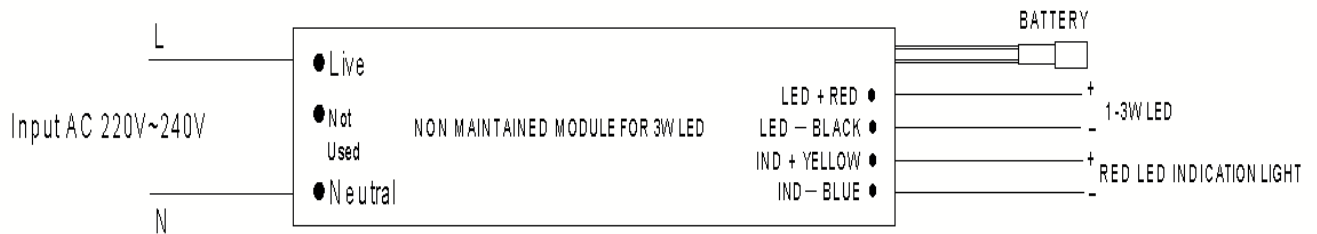
EMC Compliance

EMC Category	Country	Standard
EMI	Europe	EN 55015
EMS	Europe	EN 61000-3-2, EN 61000-3-3, EN 61547

Mechanical Outline



Wiring diagram



RoHS Compliance

Our products comply with the European Directive 2002/95/EC, calling for the elimination of lead and other Hazardous substances from electronic products.